

Plasma Display Stand

Handling Instructions

AS6150

Thank you for purchasing the AS6150 Plasma Display Stand.

Before using this product, please read this Handling Instructions thoroughly so that you can use this product at its full functionality. After reading, retain this manual in an easily accessible location so that you can refer to this manual whenever you have a problem or trouble during use.

* This plasma display stand is designed specifically for use with MARANTZ 61-inch plasma displays.

**Special skills are required to install the Plasma Display.
Do not attempt to install the Plasma Display on your own.**

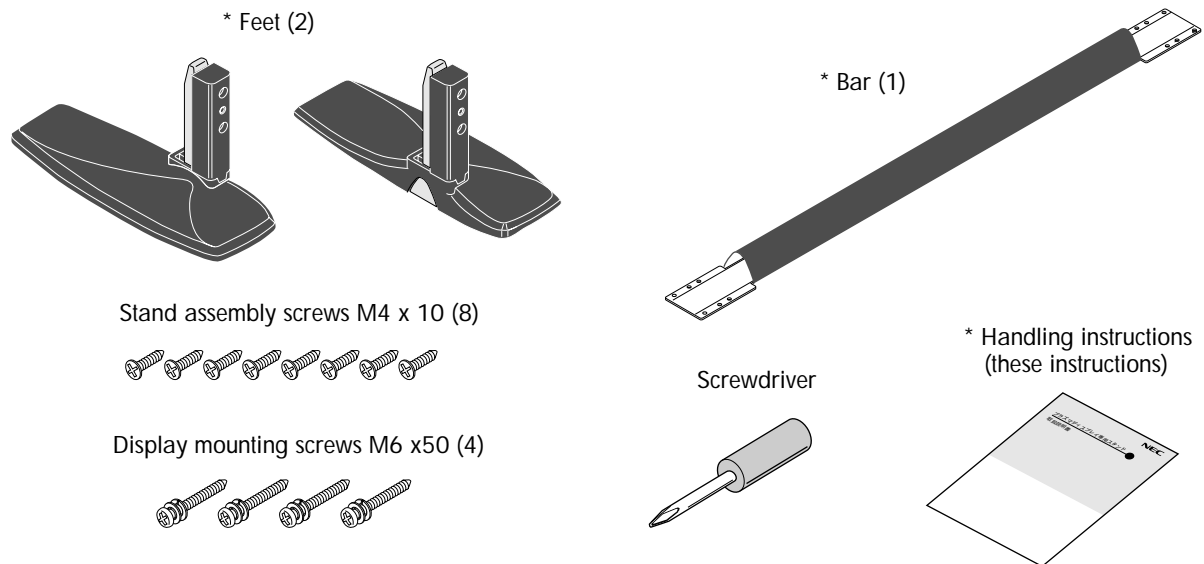
Attention: Sales Agents and Technicians

To ensure the user's safety, be sure to select a place sufficiently strong to bear the weight of the Plasma Display and the different units.

Installation should be performed by a minimum of three persons.

Be careful not to lose removed screws, etc.

Parts Included



Specifications

Model: AS6150

External dimensions: (W) 1125 x (H) 205 x (D) 430 mm
(W) 44.3 x (H) 8.1 x (D) 16.9 inches

Weight: 6.5 kg
14.3 lbs


Operating conditions: Temperature 0° to 40°C / 32°F to 104°F Humidity 20%–80%
Storage conditions: Temperature -10° to 50°C / 14°F to 122°F Humidity 10%–90%


Always Heed the Following

Before Use...







Symbols

Various symbols are used in this Handling Instructions for the safe and proper use of the product as well as preventing any injury or damage to persons or property. These symbols and their meanings are described below. Please have a good understanding of these matters before reading the main text of the manual.

WARNING  Ignoring this indication and improper handling could be the cause of personal injury such as a serious injury or death.

CAUTION  Ignoring this indication and improper handling could cause injury to a person or damage to the surrounding household belongings.

Examples of Symbols

-   This symbol informs that there are contents that **demand caution (including warnings)**. Concrete details of the caution are written within the diagram.
-   This symbol indicates a **prohibited** matter. Concrete details of the prohibition are written within the diagram.
-   This symbol indicates something that **must be done**. Concrete details of the prohibition are written within the diagram.

WARNING



- Be sure to have the Plasma Display installed by your store of purchase following the instructions in this manual. If installed incorrectly, the Plasma Display could tip over, resulting in injury.



- To ensure safety, tighten bolts and screws securely. Failure to do so could cause the Plasma Display to tip over, resulting in injury.



- Do not modify parts. Doing so could cause the Plasma Display to tip over, resulting in injury.



- Do not use damaged parts. Doing so could cause the Plasma Display to tip over, resulting in injury. If a part should be damaged, contact the store of purchase.



- Each unit is designed specifically for use with MARANTZ 61-inch plasma displays. Please do not mount any other equipment with these items. Doing so may cause the item to fall over and result in injury.



- Do not set on shaky stands, tilted surfaces or other unstable places. Doing so could cause the Plasma Display to tip over or fall, resulting in injury. Moreover, Do not install into a vehicle.

Always Heed the Following

⚠ CAUTIONS



- Do not obstruct the Plasma Display's ventilation holes.

If the ventilation holes are covered, the heat will build up inside, and this could lead to fire.

For example, do not install the Plasma Display in narrow spaces where ventilation is poor, do not place covers over it, etc.



- Do not install the Plasma Display near air conditioner air outlets or in places where vibrations are strong.

Doing so could lead to fire or electric shock.

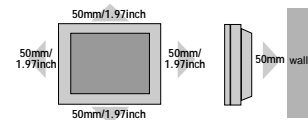


- Do not install the Plasma Display in humid or dusty places or places exposed to soot or vapor (such as in kitchens, near humidifiers, etc.). Doing so could lead to fire.

Do not install the Plasma Display outdoors. Doing so could lead to fire or electric shock.



- When installing the Plasma Display, leave sufficient space around it, as shown in the diagram. Failure to do so could cause heat to build up inside, leading to fire.



- Hold the Plasma Display securely when mounting the units on it. Failure to do so could cause the Plasma Display to fall, resulting in injury.



- When installing the Plasma Display on a stand with casters, be sure to block the casters. If the stand should move, the Plasma Display could fall, resulting in injury.



- The Plasma Display is heavy, so be sure to install in a stable place and take measures to prevent it from tipping over and causing injury.

The Plasma Display has a high center of gravity. It should be unpacked and moved by a minimum of two people, holding it at the top and bottom. Failure to do so could cause the Plasma Display to fall, resulting in injury.

NOTES

Avoid dusty or humid rooms and rooms filled with soot or cigarette smoke.

The Plasma Display's screen could get dirty, resulting in poor picture quality.

Avoid places where the screen is exposed to direct sunlight or strong artificial light.

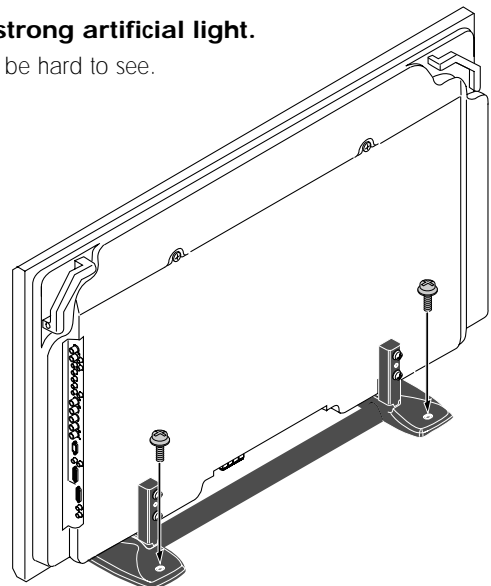
If surrounding light should shine on the screen, the screen will appear white and be hard to see.

Do not install in places where the temperature is high or low.

Doing so could result in damage.

Additional fall prevention measures

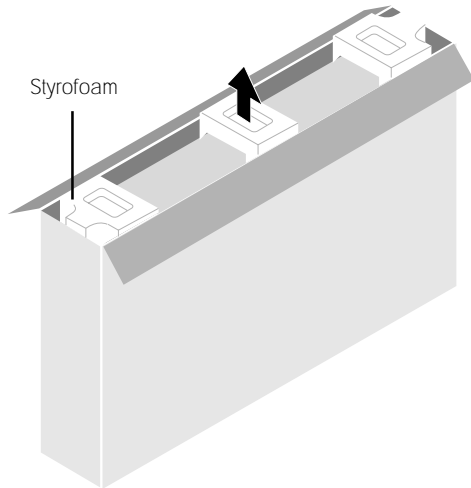
- Either use the tip prevention fitting included with the display to fix the plasma display to a wall, pillar or other strong place or use the holes on the back on the stand to fix to a table, etc..(Do not use with the separately sold ceiling mount unit or wall mount unit.)
- Pay attention to the rope when moving the Plasma Display.
- The screws for fastening the display to the wall, a pillar or a stand are not included. Please obtain screws suited for the surface on which the display is to be mounted.



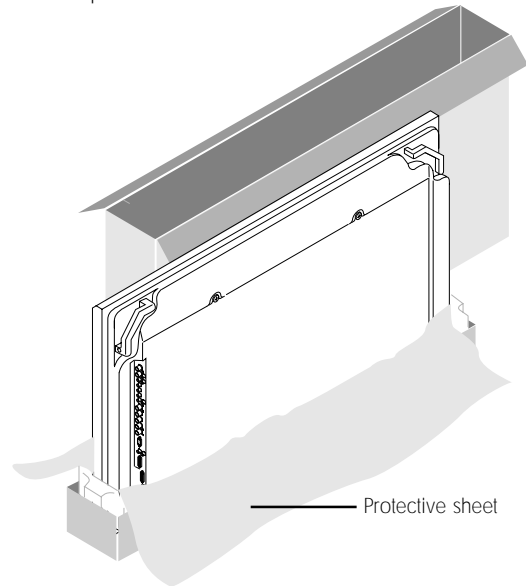
Assembling the stand

Preparations • • • Unpack the plasma display.

1. Open the top of the cardboard in which the plasma display is packed and remove the three pieces of styrofoam.

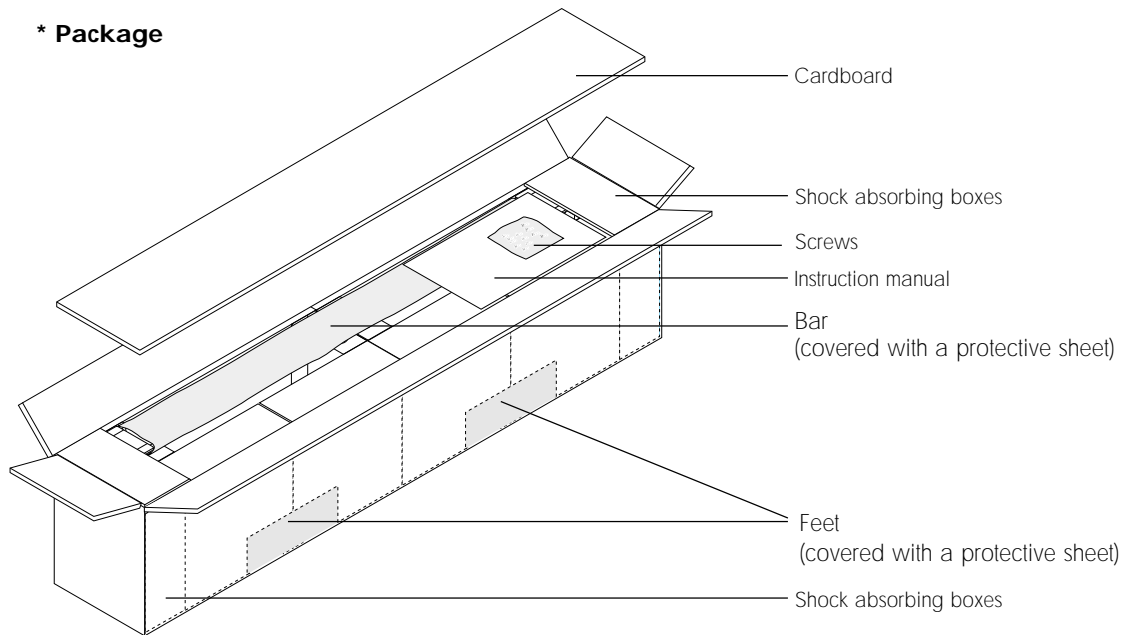


2. Remove the cardboard from the top and open the protective sheet.

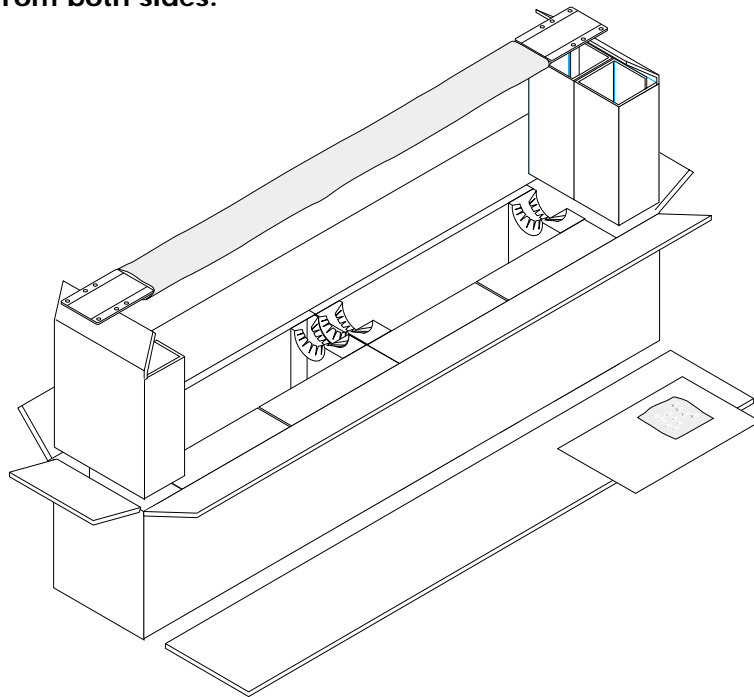


1. Open the package and take out the cardboard and accessories (screws and handling instructions).

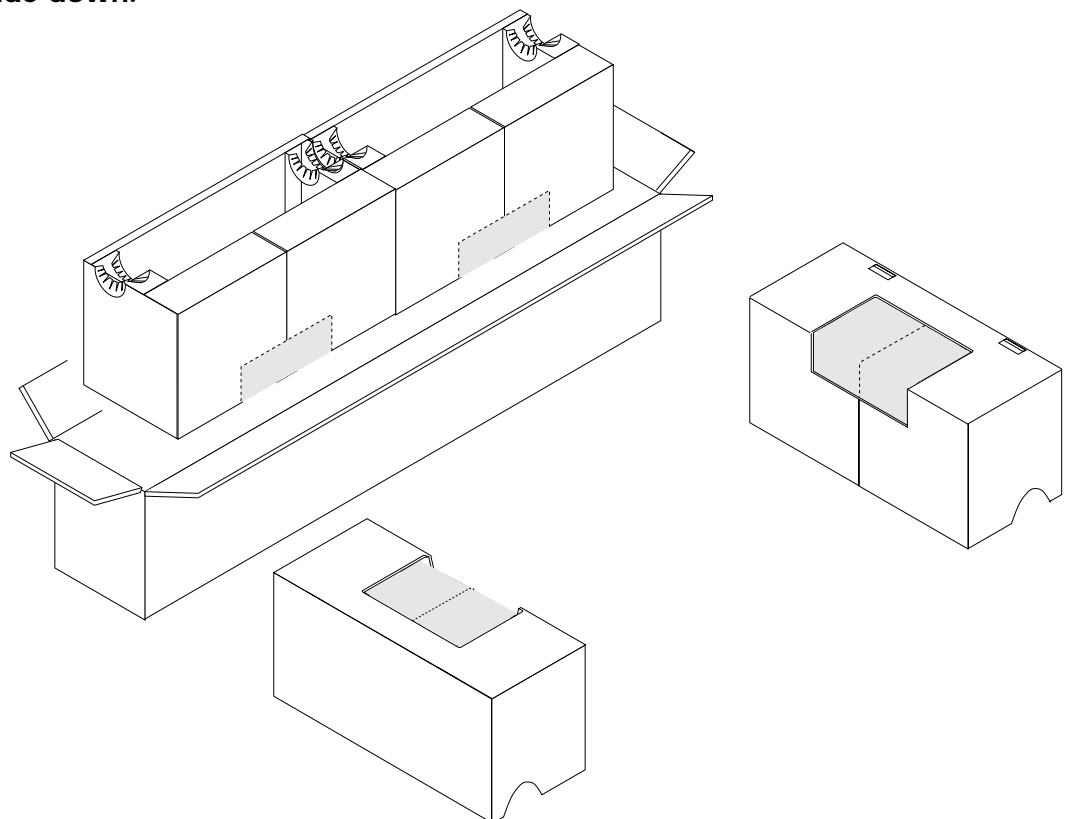
* Package



- 2. Take out the bar and remove the shock absorbing boxes from both sides.**

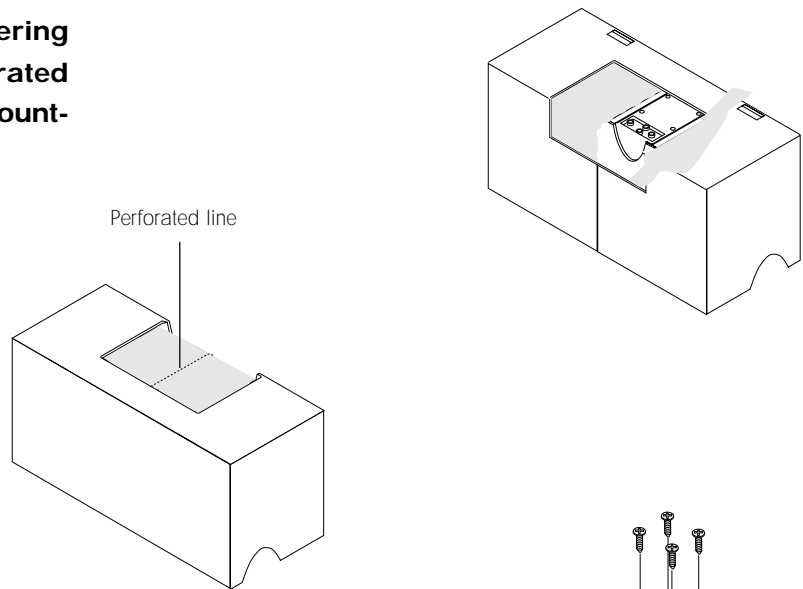


- 3. Remove the two boxes containing the feet and set them upside-down.**



Assembling the stand

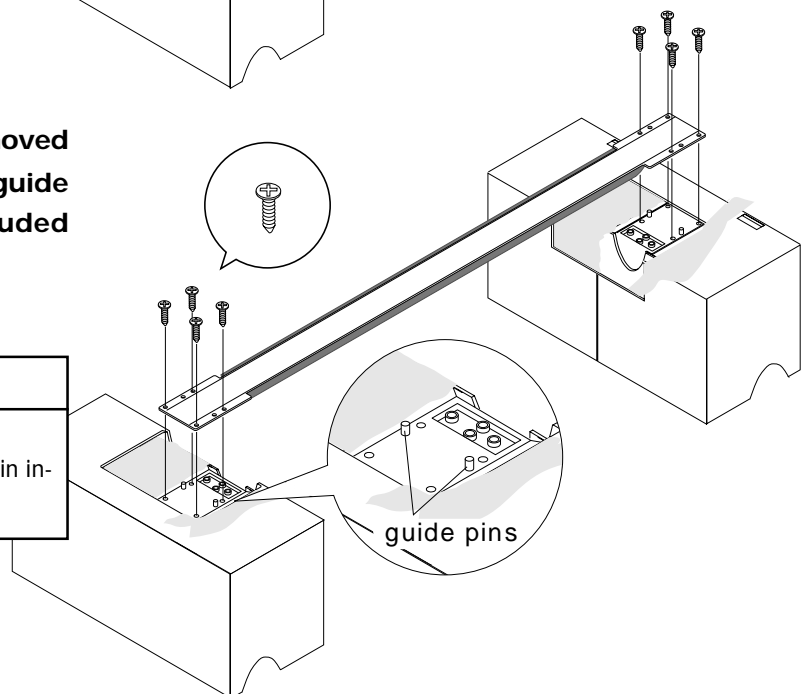
- 4. Lift up the protective sheet covering the foot starting from the perforated line in the center to reveal the mounting surface.**



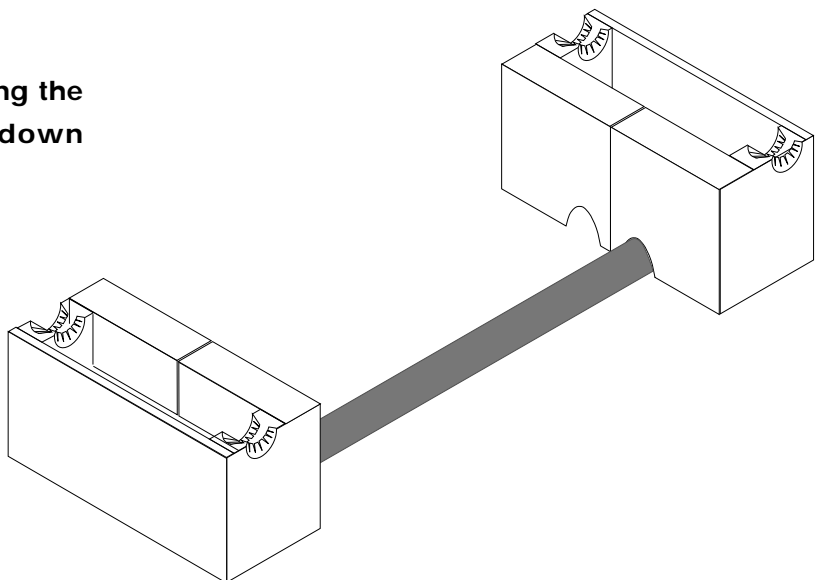
- 5. Remove the cover of the bar removed in step 2, insert the bar on the guide pins, and tighten with the included stand assembly screws.**

CAUTION:

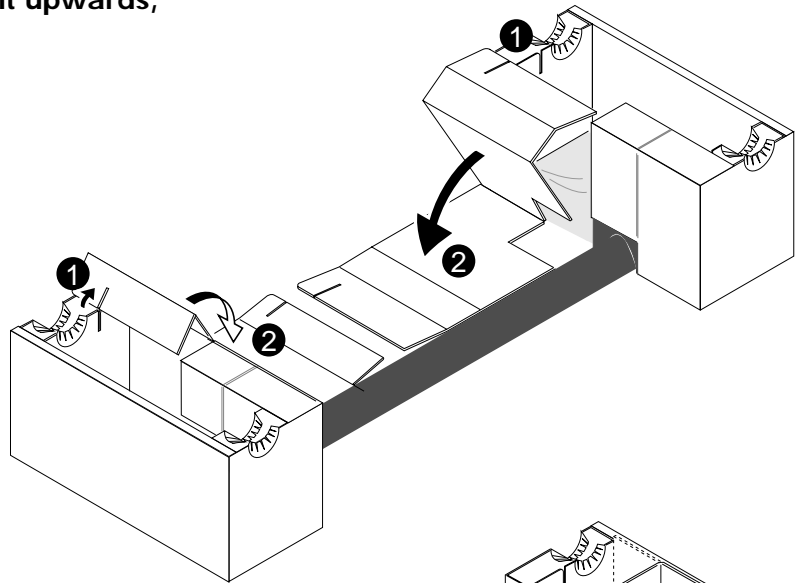
Tighten the screws securely.
If not, the monitor could tip over, resulting in injury.



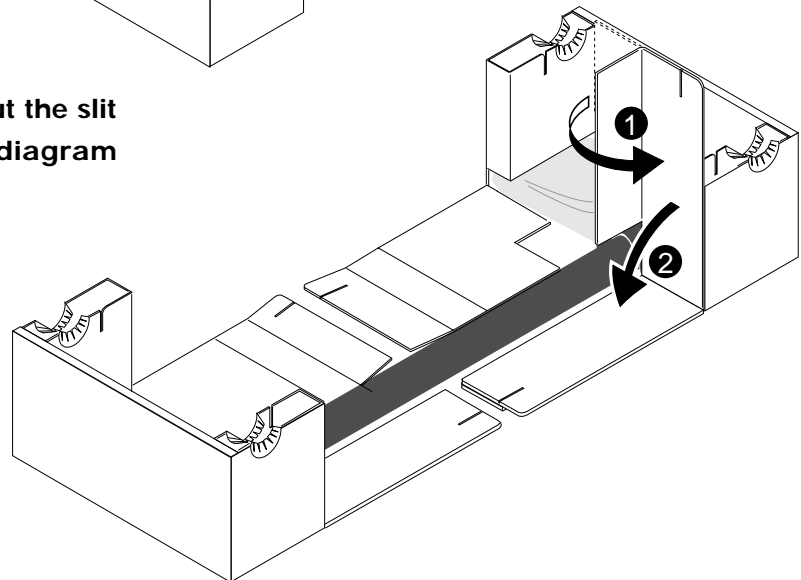
- 6. Grasp the two boxes containing the feet and turn them upside-down again.**



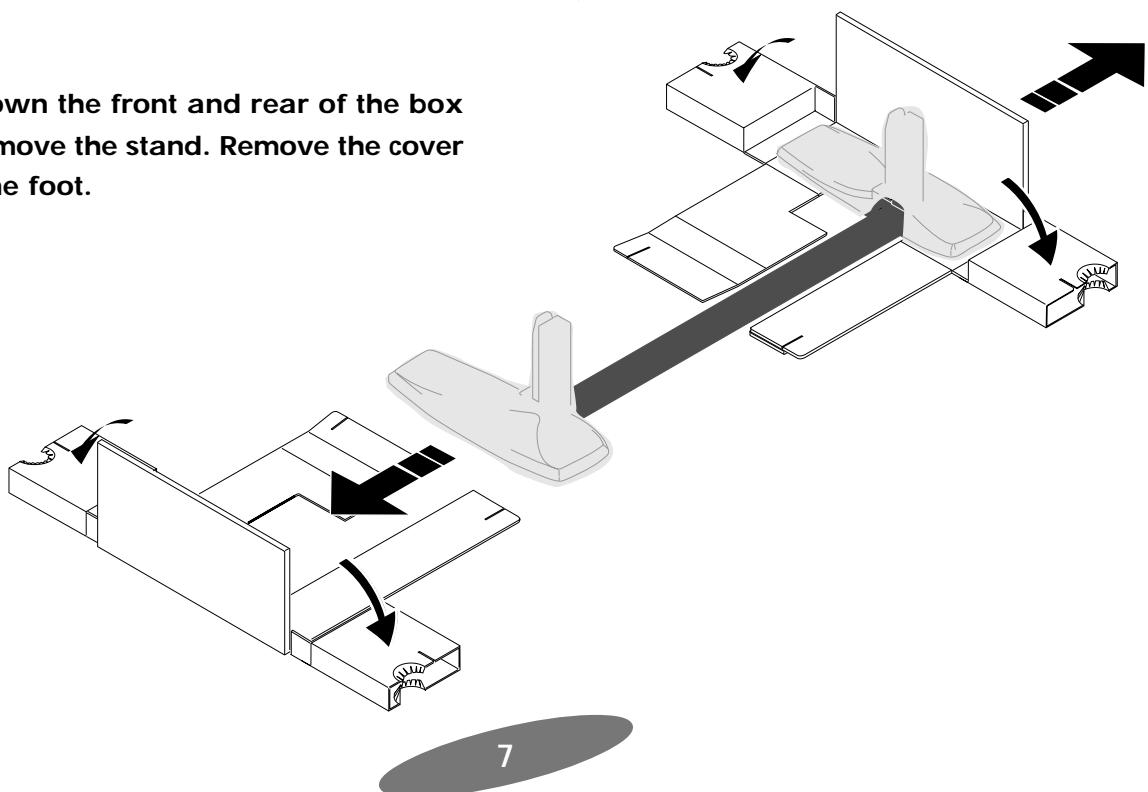
7. Lift the section stuck into the slit upwards, pull it out, then fold it down.



8. On the bar side, after pulling out the slit section, bend as shown in the diagram then fold down.



9. Fold down the front and rear of the box and remove the stand. Remove the cover from the foot.



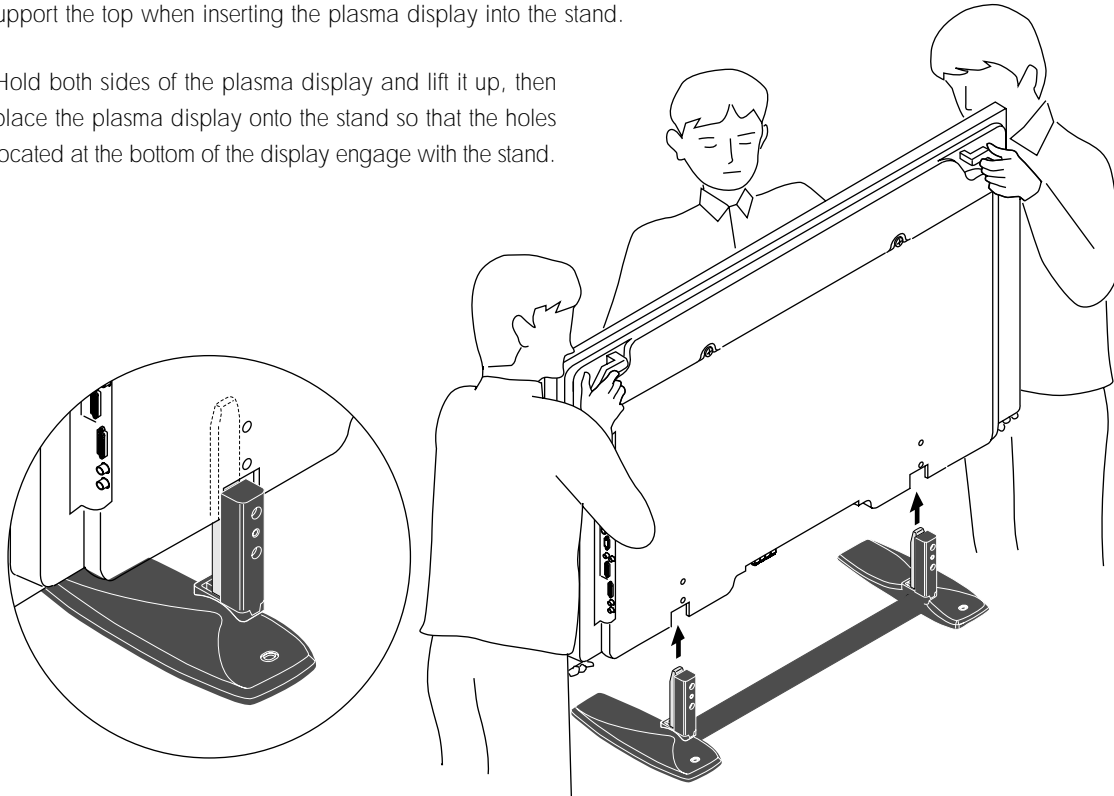
Mounting the plasma display on the stand

1. Insert the plasma display into the stand.

Check that the stand and plasma display are facing the proper direction, then insert the plasma display into the stand.

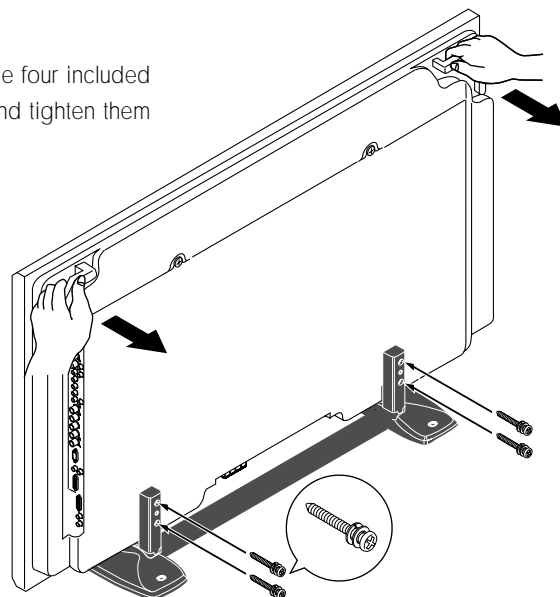
This procedure should be done by at least three persons, since the plasma display is heavy and has a high center of gravity. Hold the bottom and the grips on the back of the plasma display and support the top when inserting the plasma display into the stand.

Hold both sides of the plasma display and lift it up, then place the plasma display onto the stand so that the holes located at the bottom of the display engage with the stand.



2. Fasten the plasma display and stand.

Pulling the top of the plasma display forward, insert the four included display mounting screws into the holes in the stand and tighten them using the included screwdriver.



CAUTION:

Tighten the screws immediately after placing the display on the stand. If not, the display could tip over, resulting in injury.